

# TASKMASTER<sup>®</sup> TOOLS

from **ILSCO**



## Model: TM-PMP

### Instruction manual

Read and understand all of the instructions and safety information in this manual before operating or servicing this tool.

TASKMASTER TOOLS  
4730 Madison Road  
Cincinnati OH 45227  
[www.ilsco.com](http://www.ilsco.com)

Phone:  
800-776-9775  
513-533-6200

## Table of Contents

Warranty and Servicing.....	3
Safety Symbols.....	3
Safety.....	4
Technical Specifications.....	5
Identification.....	6
Operating Instructions.....	7-8
Tool Maintenance.....	9

### Thank you...

for buying a TASKMASTER TOOL. Our mission is to bring product innovation and exceptional customer service to the marketplace. This tool line is reliable, dependable, and durable for our customer's needs.

Please read this instruction manual carefully before using the product. If you have any questions about our product please reach out to our customer service department (see back cover). No part of the contents of this manual may be reproduced, transmitted or circulated in any form or by any means without the prior written authorization of TASKMASTER TOOLS.

## WARRANTY AND SERVICING

### TASKMASTER PRO 5-Year Tool Service Protection Program

Introducing the industry's best service & support program for all your ILSCO hydraulic crimping and cutting tools. All ILSCO tool buyers are automatically registered in the TASKMASTER PRO Service Protection Program and will receive free tool repairs for defects in material or workmanship on their tool(s) for five years after their original purchase date. (Excludes abuse, non-intended use, tampered with or normal wear and tear.)

### TASKMASTER PRO Tool 5 Day Repair Pledge

If your tool(s) need repair at any time within five years of your original purchase date, our TASKMASTER PRO service network will repair your registered tools within five business days of receipt.

### TASKMASTER PRO Tool Loaner Program

If you need a replacement tool during any repair, our TASKMASTER PRO network can typically provide a comparable loaner tool to registered tool owners while your tool is being repaired.

### FREE Tool Reconditioning

Your first reconditioning is on us!

### To Find a TASKMASTER PRO Service Partner

Call ILSCO for assistance in solving tool performance issues or for any of your service needs. ILSCO tool owners will be offered options to solve any tool replacement, parts or repair issues.

Call 513-533-6200 or 800-776-9775  
Monday to Friday  
8:00AM to 5:00PM Eastern Time (ET)

## SAFETY SYMBOLS



Attention!  
Risk of  
cutting injury



Read the operating  
instructions  
before use



Wear protective  
goggles



Electric Shock  
Hazard- use  
proper protective  
equipment



Do not dispose  
of product.  
Please recycle

## SAFETY

Read all safety warnings, instructions provided with this tool. Failure to follow all instructions listed below may result in electric shock, fire and/or serious injury. Save all warnings and instructions for future reference.

### WORK AREA SAFETY

- Keep work area clean and well lit. Cluttered or dark areas invite accidents.
- Keep children and bystanders away while operating a hydraulic tool. Distractions can cause you to lose control.
- The pump may only be used in the field of application it is designed for.
- Do not kink the pressure hose. The hydraulic reservoir may only be refilled with original oil.
- Use only original spare parts.
- The quick coupling may only be connected in the absence of pressure.
- Make sure the coupling and nipple of the hose are connected in the right way.

### PERSONAL SAFETY

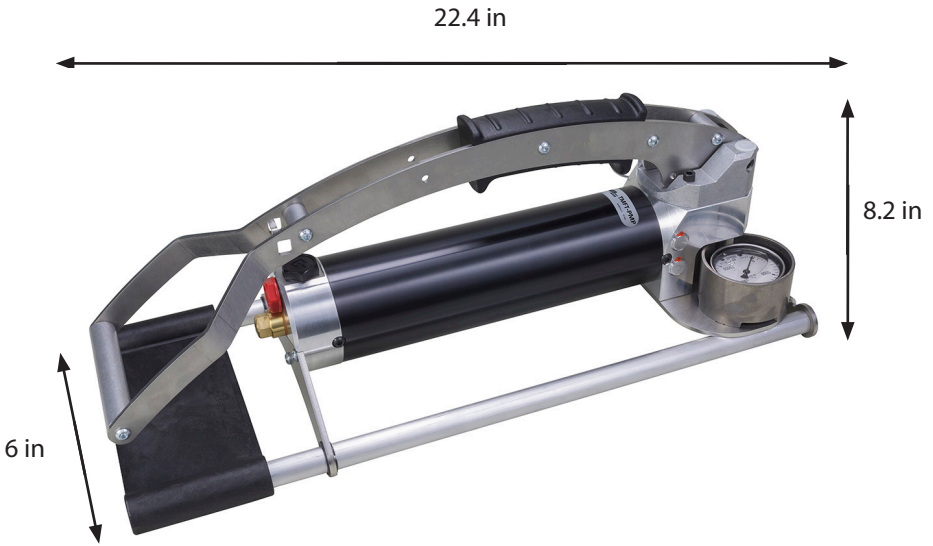
- Stay alert, watch what you are doing and use common sense when operating a hydraulic tool. Do not use a hydraulic tool while you are tired or under the influence of drugs, alcohol, or medication. A moment of inattention while using hydraulic tools may result in serious personal injury.
- Use personal protective equipment. Always wear eye protection. Protective equipment such as rubber gloves, non-skid safety shoes, hard hat or hearing protection used for appropriate conditions will reduce personal injuries.
- Do not overreach. Keep proper footing and balance at all times. This enables better control of the tool in unexpected situations.
- Do not let familiarity gained from frequent use of hydraulic tools allow you to become complacent and ignore tool safety principles. A careless action can cause severe injury within a fraction of a second.
- The user may operate the pump only with the foot in order to virtually exclude the risk of being injured.
- The pump may only be operated by the user of the tool (it must not be operated by 2 persons)

### SERVICE

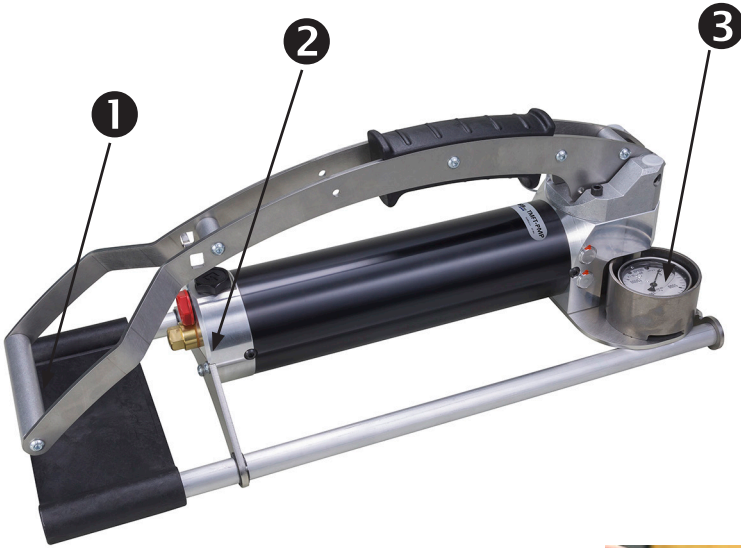
- Have your tool serviced by a qualified repair person using only identical replacement parts. This will ensure that the safety of the hydraulic tool is maintained. Be careful when unlocking and locking the foot pedal - due to a spring in the pump head the foot pedal is pretensioned.

## TECHNICAL SPECIFICATIONS

Force Developed:	10000 PSI
Oil Capacity:	40 oz
Dimensions:	8.2 in. x 22.4in. x 6in.
Weight:	21 lbs



IDENTIFICATION



- ① Foot Pedal
- ② Pedal Fastening
- ③ Pressure Gauge
- ④ Pressure Relief Lever
- ⑤ Dust Caps

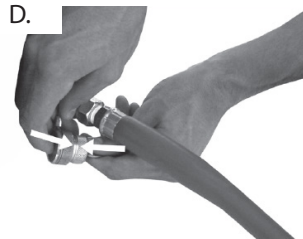
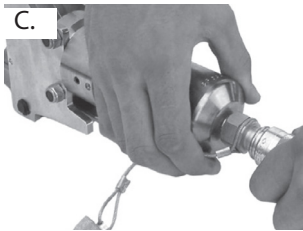
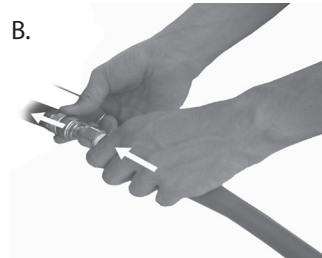
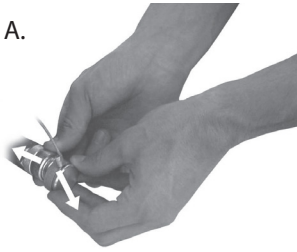
## OPERATING INSTRUCTIONS

### PUTTING INTO OPERATION

1. Slightly press the foot pedal 1 with your foot and unlock the pedal holder 2 locking device to the left. The foot pump is ready for operation.
2. The foot pedal 1 is pushed down by the spring and the first working stroke is carried out, i.e. the working piston of the connected tool moves forward in quick feed mode until pressure is built up in the system. At this point the system automatically switches to high pressure. The connected pressure gauge 3 allows for pressure control during all working phases. Continue pressing the foot pedal 1 until the operation is terminated. Upon reaching the nominal pressure (700bar or 850bar respectively) the pressure interruption automatically interrupts the operation of the pump.
3. When the operation is terminated, the working piston of the connected tool can be moved back to its starting position by pressing the pressure relief lever 4. The lever has to be pressed until the working piston of the tool has returned to its starting position. After the termination of the operation disconnect the quick coupling system and slip on both dust caps 5.
4. Activate the pressure relief lever 4 with your left foot and at the same time press the foot pedal 1 with your right foot. Remove your left leg foot from the pressure relief lever 4 and lock the pedal fastening 2.

CONNECTING THE HYDRAULIC SYSTEM

1. Remove the foot pump from the case and place it on a horizontal and stable surface.
  - For connecting the tool with the quick coupling of the pump remove the dust cap (A.)
  - For connecting or disconnecting push the sliding sleeve of the quick coupling back to the stop (B.). No oil gets lost during the connection process.
2. Proceed analogously on the side of the tool.
3. Remove the dust caps and connect the tool with the hydraulic hose.
4. Push back the sliding sleeve of the coupling on the side of the hose (C.).

BE SURE TO:

- Connect the tool only in the absence of pressure.
- Assemble the couplings only if they are clean. Soil particles which may be introduced can damage the elements of the pump.
- To prevent the dust caps from getting dirty fit the two parts into each other during operation.
- Before disconnecting the connection hose and the tool bring the working piston of the tool which is used into the starting position so to prevent an incorrect oil level in the pump.
- After disconnecting the tool always put on the dust caps to prevent the contamination of the oil circuit.
- The coupling has to lock into place completely.



## TOOL MAINTENANCE

After use the pump should be placed back into the case or a dry and clean place in order to prevent it from getting dirty.

A maintenance interval of 2 years is recommended in order to maintain the perfect functioning of the foot pump.

### VENTING WITH CONNECTED TOOL

Under certain operating conditions it is possible that air bubbles reach the hydraulic system and impair its functioning (e.g. if there is not enough oil). In this case the pump has to be vented. For this purpose place the pump approx. 1 m higher than the connected tool. Press the pump pedal several times so that the piston of the connected tool moves forward. Then activate the pressure relief lever until the piston has moved back to its starting position. This process should be repeated 3 or 4 times.

### VENTING THE PUMP

Activate the pressure relief lever with your left foot and at the same time press down the foot pedal completely several times. This process should be repeated 3 or 4 times.

### OIL LEVEL CHECK

For checking the oil level put the pump in horizontal position and slightly loosen the oil drain plug. The oil level is correct if a small amount of oil leaks out immediately..





# TASKMASTER<sup>®</sup> TOOLS

from **ILSCO**<sup>®</sup>

Date: 07/17 Version 1

TASKMASTER TOOLS  
4730 Madison Rd.  
Cincinnati, OH 45227

Phone: 800-776-9775  
513-533-6200

[www.ilsco.com](http://www.ilsco.com)

Service: