



Model: TR-CUT120CU-S

Instruction manual

Read and understand all of the instructions and safety information in this manual before operating or servicing this tool.

Table of Contents

Warranty and Servicing.....	3
Safety Symbols.....	3
Safety.....	4
Technical Specifications.....	5
Identification.....	6
Operating Instructions.....	7
Tool Maintenance.....	8
Head Assembly Breakdown and Parts List.....	9

Thank you...

for buying a TASKMASTER TOOL. Our mission is to bring product innovation and exceptional customer service to the marketplace. This tool line is reliable, dependable, and durable for our customer's needs.

Please read this instruction manual carefully before using the product. If you have any questions about our product please reach out to our customer service department (see back cover). No part of the contents of this manual may be reproduced, transmitted or circulated in any form or by any means without the prior written authorization of TASKMASTER TOOLS.



WARRANTY AND SERVICING

TASKMASTER PRO 5-Year Tool Service Protection Program

Introducing the industry's best service & support program for all your ILSCO hydraulic crimping and cutting tools. All ILSCO tool buyers are automatically registered in the TASKMASTER PRO Service Protection Program and will receive free tool repairs for defects in material or workmanship on their tool(s) for five years after their original purchase date. (Excludes abuse, non-intended use, tampered with or normal wear and tear.)

TASKMASTER PRO Tool 5 Day Repair Pledge

If your tool(s) need repair at any time within five years of your original purchase date, our TASKMASTER PRO service network will repair your registered tools within five business days of receipt.

TASKMASTER PRO Tool Loaner Program

If you need a replacement tool during any repair, our TASKMASTER PRO network can typically provide a comparable loaner tool to registered tool owners while your tool is being repaired.

FREE Tool Reconditioning

Your first reconditioning is on us!

To Find a TASKMASTER PRO Service Partner

Call ILSCO for assistance in solving tool performance issues or for any of your service needs. ILSCO tool owners will be offered options to solve any tool replacement, parts or repair issues.

Call 513-533-6200 or 800-776-9775
Monday to Friday
8:00AM to 5:00PM Eastern Time (ET)

SAFETY SYMBOLS



Attention!
Risk of
cutting injury



Never use
with unlocked
workhead



Read the operating
instructions
before use



Wear protective
goggles



Electric Shock
Hazard - use
proper protective
equipment



Do not dispose
of product.
Please recycle

SAFETY

Read all safety warnings, instructions provided with this tool. Failure to follow all instructions listed below may result in electric shock, fire and/or serious injury. Save all warnings and instructions for future reference.

WORK AREA SAFETY

- Keep work area clean and well lit. Cluttered or dark areas invite accidents.
- Keep children and bystanders away while operating a hydraulic tool. Distractions can cause you to lose control.

PERSONAL SAFETY

- Stay alert, watch what you are doing and use common sense when operating a hydraulic tool. Do not use a hydraulic tool while you are tired or under the influence of drugs, alcohol, or medication. A moment of inattention while using hydraulic tools may result in serious personal injury.
- Use personal protective equipment. Always wear eye protection. Protective equipment such as rubber gloves, non-skid safety shoes, hard hat or hearing protection used for appropriate conditions will reduce personal injuries.
- Do not overreach. Keep proper footing and balance at all times. This enables better control of the tool in unexpected situations.
- Do not let familiarity gained from frequent use of hydraulic tools allow you to become complacent and ignore tool safety principles. A careless action can cause severe injury within a fraction of a second.

SERVICE

- Have your tool serviced by a qualified repair person using only identical replacement parts. This will ensure that the safety of the hydraulic tool is maintained.

TECHNICAL SPECIFICATIONS

Force developed:	6.7 tons
Jaw opening:	4.75 in.
Dimensions:	19.8 in. x 9.3 in. x 3.4 in. (L x W x H)
Weight:	16.5 lbs
Cut Capacity	
CU conductor:	1000 kcmil
AL conductor:	4.5"



IDENTIFICATION



- ① Cutting Blades
- ② Carrying Handles
- ③ Male Coupler

NOTE: Includes molded carrying case.

OPERATING INSTRUCTIONS

Be sure to read instructions carefully, wear safety goggles, and keep fingers away from cutting head.

NOTE: Connect head to 10,000 PSI hydraulic pump.

CUTTING

1. Retract the cutting head jaws fully by pressing the release button.
2. Place the wire between the cutting head jaws. Make sure all cuts are made perpendicular to the cutting head.



3. Advance the tool.

CAUTION: always wear eye protection while cutting

WARNING: do not cut steel

4. Once cut is complete, fully retract the cutting blades.

TOOL MAINTENANCE

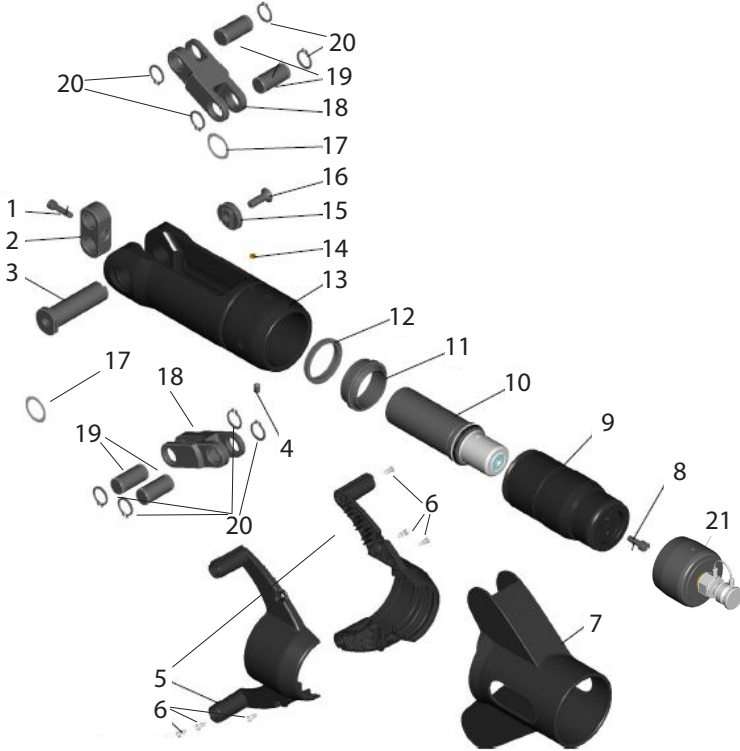
Daily maintenance:

- After each cutting cycle wipe the cutting head jaws free of metal shavings.
- Wipe down all steel parts with WD-40.
- Store the tool in a non-humid environment.

The head should provide many years of service when given the proper maintenance and care. Should you experience any difficulty with the operation and maintenance of this tool, contact our customer service department (see back cover).



HEAD ASSEMBLY BREAKDOWN AND PARTS LIST



#	Part #	Part Description	Qty
1	200623	CAP SCREW	1
2	713738	BRIDGE	1
3	713741	BOLT	1
4	701008	GRUB SCREW	1
5	712882	HANDLE	2
6	100831	PT-SCREW	6
7	712903	PROTECTION	1
8	710710	CAP SCREW	1
9	712887	CYLINDER	1
10	713779	PISTON CPL	1
11	713753	GUIDE BUSHING	1

#	Part #	Part Description	Qty
12	712892	SCRAPER RING	1
13	713751	BODY	1
14	705806	FILTER DISC	1
15	713743	PRESSURE DISC	1
16	713748	SCREW	1
17	713752	SHIM RING	2
18	713736	PUSH ROD	2
19	713739	BOLT	4
20	700570	LOCKING RING	8
21	E712823	COUPLER	1

TASKMASTER[®] TOOLS

from **ILSCO[®]**

Date: 02/18 Version 1

TASKMASTER TOOLS
4730 Madison Rd.
Cincinnati, OH 45227

Phone: 800-776-9775
513-533-6200

www.ilsco.com

Service: