

## Model: TRC-750CU



### FIELD OF APPLICATION

Designed for cutting copper and aluminum cables:

- Copper up to 750mcm
- Aluminum up to 2inches

Not suitable for steel wire and cast aluminum alloy.

### OPERATING INSTRUCTIONS

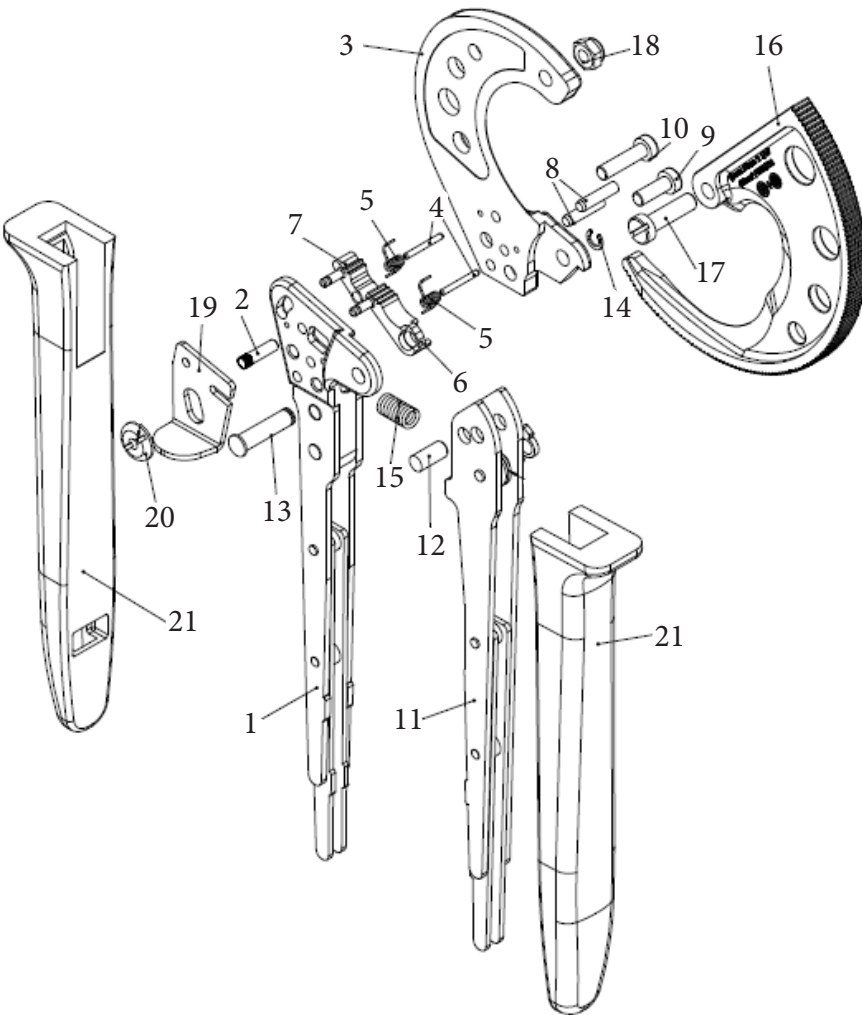
1. To release the handles turn down the locking bolt (1).
2. Turn the movable blade (3) towards the stationary blade (4).
3. Place the cable against the stationary blade and move the movable blade towards the cable until the cable is held fast between the blades.
4. Keep perpendicular to the cable.
5. Actuate the moving handle to move the movable blade towards the stationary blade and cut the cable.
6. Depending on the necessary force the movable blade can be moved alternatively in one or two advance steps. For easier cutting, open handle to one click, then close to cut.
7. The tool can be released in any position:
  - Keep closing the moving handle until the release plate (2) can be moved upwards with an insulated screwdriver. **THE RELEASE MECHANISM IS NOT INSULATED.**
  - Keep the release plate in this position and pull the movable blade away from the material to be cut.
8. Occasionally oil the moving parts. Keep the teeth on the movable blade clean of debris.
9. In case the tool is overstressed the locking mechanism may break without damaging the blades (predetermined breaking point).

# TASKMASTER<sup>®</sup> TOOLS

from **ILSCO**

Model: TRC-CUT750CU

## Tool Parts Breakdown



#	Part Number	Part Description	Qty.
1	1121-30001	FIXED HANDLE	1
2	2121-30007	GROOVED FASTENER	1
3	2121-30001	FIXED BLADE	1
4	8121-20014	GROOVED FASTENER	2
5	2121-20019	RATCHET SPRING	2
6	2121-25008	RATCHET PAWL	1
7	2121-30005	STOOPER PAWL	1
8	8121-20013	GROOVED FASTENER	2
9	8121-20012	HEXAGON SOCKET SCREW	1
10	8121-30001	HEXAGON SOCKET SCREW	1
11	1121-30002	MOVEABLE HANDLE	1
12	2121-20004	GROOVED FASTENER	1
13	2121-20010	GROOVED FASTENER	1
14	8162-25008	GRIP RING	1
15	2121-25025	SPRING	1
16	2121-30011	MOVEABLE BLADE	1
17	2121-20009	FULCRUM CUTTER PIN	1
18	8121-20004	NYLON NUT	1
19	2121-30006	RATCHET RELEASE BLADE	1
20	2121-30009	SLOTTED NUT	1
21	2121-21053	HANDLE	2