



## Model: UR-4PT

### Instruction manual

Read and understand all of the instructions and safety information in this manual before operating or servicing this tool.

UTILCO Lineman Tools  
4730 Madison Road  
Cincinnati OH 45227  
[www.utilco.com](http://www.utilco.com)

Phone:  
800-776-9775  
513-533-6200

## Table of Contents

Warranty and Servicing.....	3
Safety Symbols.....	3
Safety.....	4
Technical Specifications.....	5
Identification.....	6
Operating Instructions.....	7-8
Head Assembly Breakdown and Parts List.....	9
Tool Parts Breakdown.....	10
Parts List.....	11
Tool Maintenance.....	12

### Thank you...

for buying a UTILCO Lineman Tool. Our mission is to bring product innovation and exceptional customer service to the marketplace. This tool line is reliable, dependable, and durable for our customer's needs.

Please read this instruction manual carefully before using the product. If you have any questions about our product please reach out to our customer service department (see back cover). No part of the contents of this manual may be reproduced, transmitted or circulated in any form or by any means without the prior written authorization of UTILCO Lineman Tools.



## WARRANTY AND SERVICING

### UtilPro™ 5-Year Tool Service Protection Program

Introducing the industry's best service & support program for all your UTILCO hydraulic crimping and cutting tools. All UTILCO tool buyers are automatically registered in the UtilPro Service Protection Program and will receive free tool repairs for defects in material or workmanship on their tool(s) for five years after their original purchase date. (Excludes abuse, non-intended use, tampered with or normal wear and tear.)

### UtilPro Tool 5-Day Repair Pledge

If your tool(s) need repair at any time within five years of your original purchase date, our UtilPro service network will repair your registered tools within five business days of receipt.

### UtilPro Tool Loaner Program

If you need a replacement tool during any repair, our UtilPro network can typically provide a comparable loaner tool to registered tool owners while your tool is being repaired.

### FREE Tool Reconditioning

Your first reconditioning is on us!

### To Find a UtilPro Service Partner

Call UTILCO for assistance in solving tool performance issues or for any of your service needs. UTILCO tool owners will be offered options to solve any tool replacement, parts or repair issues.

Call 513-533-6200 or 800-776-9775

Monday to Friday

8:00AM to 5:00PM Eastern Time (ET)

## SAFETY SYMBOLS



Attention!  
Risk of  
cutting injury



Never use  
with unlocked  
workhead



Read the operating  
instructions  
before use



Wear protective  
goggles



Electric Shock  
Hazard- use  
proper protective  
equipment



Do not dispose  
of product.  
Please recycle

## GENERAL SAFETY INFORMATION

Read all safety warnings, instructions provided with this tool. Failure to follow all instructions listed below may result in electric shock, fire and/or serious injury. Save all warnings and instructions for future reference.

### WORK AREA SAFETY

- Keep work area clean and well lit. Cluttered or dark areas invite accidents.
- Keep children and bystanders away while operating a hydraulic tool. Distractions can cause you to lose control.

### PERSONAL SAFETY

- Stay alert, watch what you are doing and use common sense when operating a hydraulic tool. Do not use a hydraulic tool while you are tired or under the influence of drugs, alcohol, or medication. A moment of inattention while using hydraulic tools may result in serious personal injury.
- Use personal protective equipment. Always wear eye protection. Protective equipment such as rubber gloves, non-skid safety shoes, hard hat or hearing protection used for appropriate conditions will reduce personal injuries.
- Do not overreach. Keep proper footing and balance at all times. This enables better control of the tool in unexpected situations.
- Do not let familiarity gained from frequent use of hydraulic tools allow you to become complacent and ignore tool safety principles. A careless action can cause severe injury within a fraction of a second.

### SERVICE

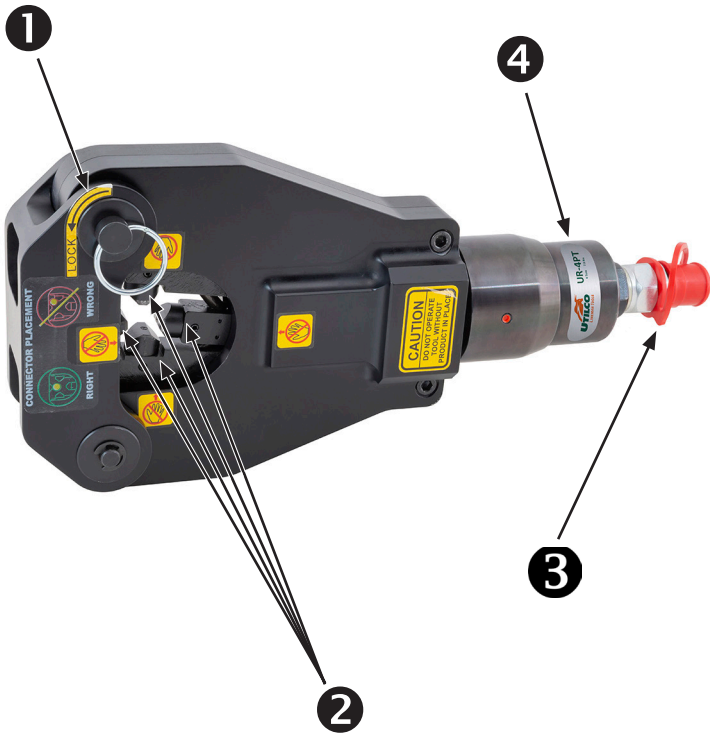
- Have your tool serviced by a qualified repair person using only identical replacement parts. This will ensure that the safety of the hydraulic tool is maintained.

## TECHNICAL SPECIFICATIONS

Force developed:	6 tons
Jaw Opening:	1.55 in.
Dimensions:	12 in. x 2.5 in. x 5.4 in. (L x W x H)
Weight:	7.8lbs.
<b>Crimp Capacity - Lugs</b>	
CU code wire:	1000 kcmil - #8
AL code wire:	750 kcmil - #8
<b>Crimp Capacity - Splices</b>	
CU code wire:	1000 kcmil - #8
AL code wire:	750 kcmil - #8



IDENTIFICATION



- 1 Head locking pin
- 2 Indenter tips
- 3 Male Coupler
- 4 Label

NOTE: Includes durable nylon bag.

## OPERATING INSTRUCTIONS

Be sure to read instructions carefully, wear safety goggles, and keep fingers away from cutting head.

NOTE: Connect head to 10,000 PSI hydraulic pump.

### CRIMPING

1. Retract the ram fully by pressing the release button.
2. Turn the locking pin to unlock, then pull pin to release latch.



3. Open latch, and place lug in head.



CRIMPING (cont'd)

4. Close latch and lock pin back into place, then cycle the tool to crimp the lug.



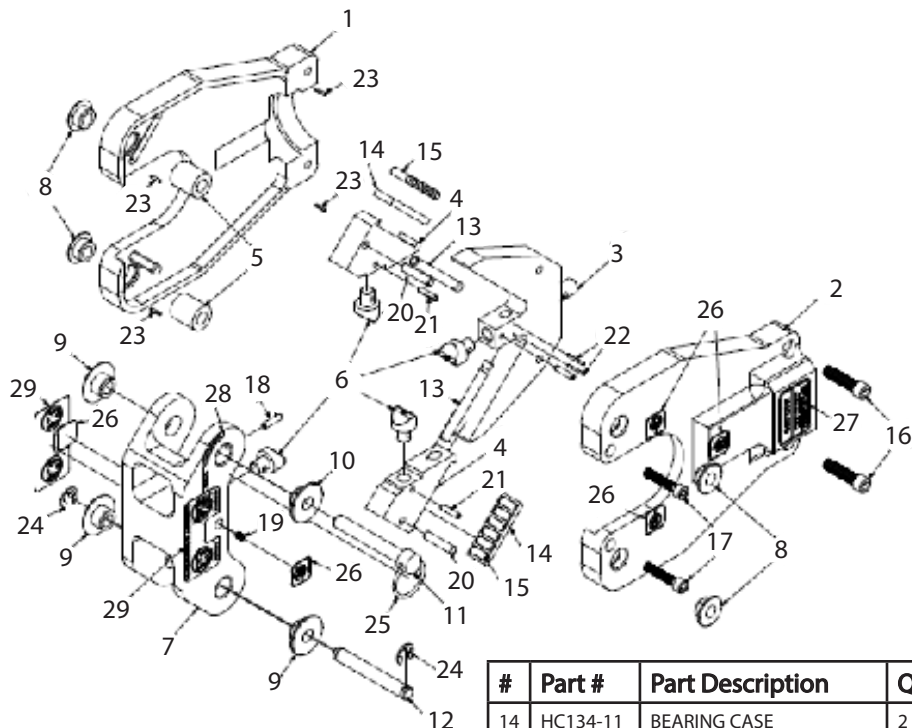
**CAUTION:** Ensure that the lug is placed securely, in the center, against the stationary tip on the latch end of the head. Before applying full pressure, make sure that all 4 indenter tips are contacting the lug, or damage will occur to tool.

**Tip:** Slowly advance the tool to correctly place lug in indenter tips.





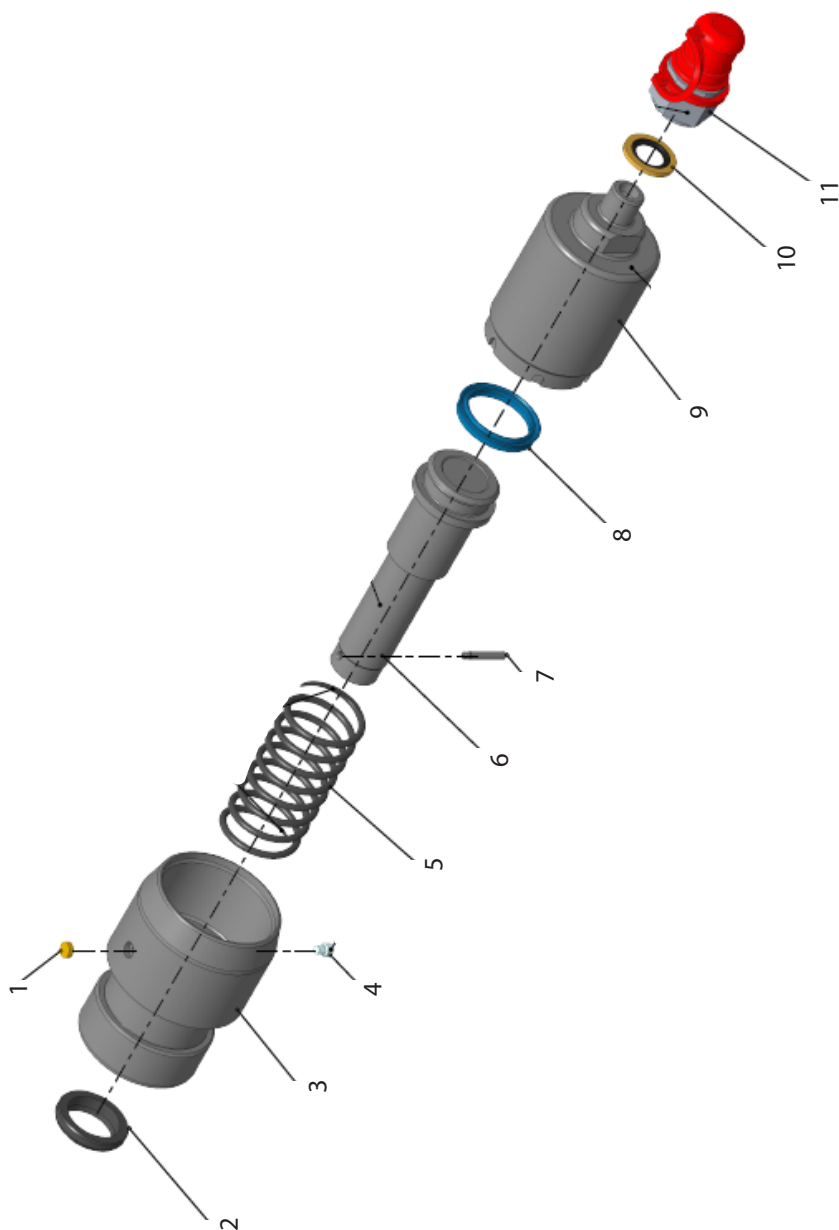
## HEAD ASSEMBLY BREAKDOWN AND PARTS LIST



#	Part #	Part Description	Qty
1	HC134-16-11	LEFT HOUSING	1
2	HC134-17-11	RIGHT HOUSING	1
3	HC134-20	SLIDE	1
4	HC134-19	JAW	2
5	HC134-12	ROLL BUSHING	2
6	HC134U-1	INDENTER	4
7	HC134-3-11	HINGE	1
8	HC134-13	BODY BUSHING	4
9	HC134-7A	HINGE BUSHING	3
10	HC134-7B	HINGE BUSHING	1
11	HC134-8	LOCK PIN	1
12	HC134-9	HINGE PIN	1
13	HC134-10	PIN	2

#	Part #	Part Description	Qty
14	HC134-11	BEARING CASE	2
15	6-1003	DOWEL PIN	12
16	1-1079	SOCKET HEAD CAP SCREW	2
17	1-434	SOCKET HEAD CAP SCREW	2
18	4-1689	POSI-HEX PLUNGER	1
19	1-1017	FLAT POINT SET SCREW	1
20	6-1139	DOWEL PIN	2
21	6-1023	SPRING PIN	3
22	6-1328	COILED PIN	2
23	6-1033	SPRING PIN	4
24	4-1058	E-RING	2
25	4-1325	KEY RING	1
26	PH102-WL	WARNING LABEL	8
27	HC134-CL	CAUTION LABEL	1
28	HC134-LL	LOCK LABEL	1
29	HC134-PL	PLACEMENT LABEL	2

TOOL PARTS BREAKDOWN



## PARTS LIST

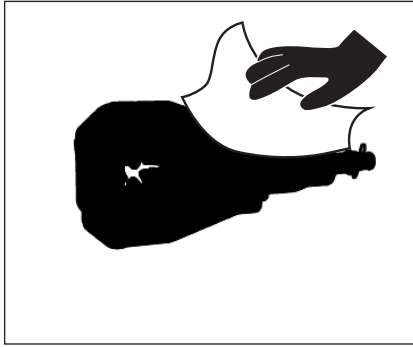
#	Part #	Part Description	Qty
1	705806	FILTER DISC	1
2	715496	SCRAPER	1
3	715544	CAP NUT	1
4	702135	GRUB SCREW	1
5	715549	COMPRESSION SPRING	1
6	715543	PISTON	1
7	715546	LOCKING PIN	1
8	715300	PISTON RING	1
9	715548	CYLINDER	1
10	711211	SCREW SEAL	1
11	102919	MALE COUPLER W/ DUST CAP	1

## TOOL MAINTENANCE

Daily maintenance:

- After each crimping cycle wipe the crimping head jaws free of metal shavings.
- Wipe down all steel parts with WD-40.
- Store the tool in a non-humid environment.

The head should provide many years of service when given the proper maintenance and care. Should you experience any difficulty with the operation and maintenance of this head, contact our customer service department (see back cover).









Notes:

A series of horizontal lines for taking notes, consisting of 30 evenly spaced lines extending across the width of the page.



Date: 04/18 Version 2

UTILCO Lineman Tools  
4730 Madison Rd.  
Cincinnati, OH 45227

Phone: 800-776-9775  
513-533-6200

[www.utilco.com](http://www.utilco.com)

Service: